

Category

Users Guide C

Date

26-09-2011

Author

Birepo ApS

BIREPO®

B-Lock Flex & Combi Intelligente Controller

S Edition

Revision

1.03.001

DIP switches.

In the controller is a DIP switch block located with 4 DIP switches, numbered 1 - 4. Switch no. 1 is the switch near the two LED's, the ON position is indicated on the switch block.

Switch no.	Factory setting	When in position ON
1	OFF	Disables the GSM modem, the communication with the GSM modem is disabled.
2	OFF	Disables that IN-1 can be used to initiate the controller open sequence.
3	OFF	When OFF (and SW-2 is OFF) then a change on IN-1 will initiate an open drawer sequence, normally only a logic "on" will start the sequence.
4	OFF	Loads the default factory settings when Controller is powered on.

Reset to factory settings.

It is possible to load the default factory settings by setting the DIP switch no. 4 in position ON, and then power-up the controller.

NB. Remember to switch the DIP switch back in OFF – position afterwards , otherwise, the configuration will be reset when power comes back after a lost power to controller.

Module inputs.

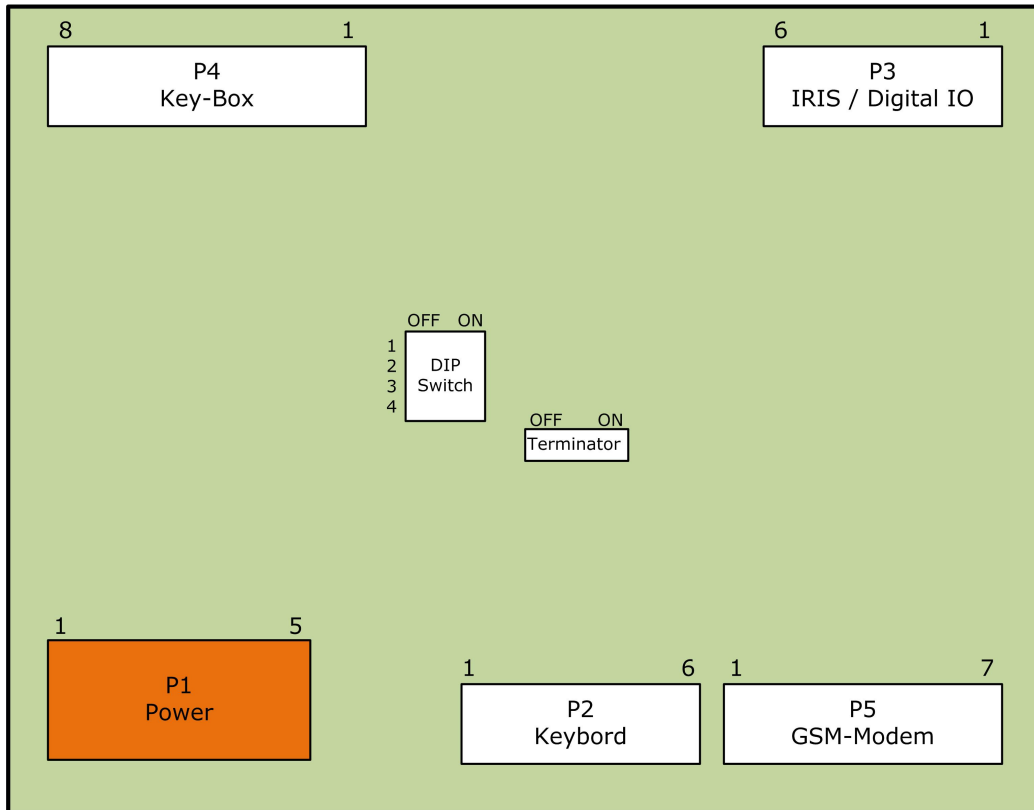
IN-1 (P3.4) open drawer pulse should be 200 ms. or more.

Module outputs.

The outputs of the module are of the Open Collector – types, and are able to sink 1 Ampere.

OUT-1 (P3.2) function as a tamper signal, that normally is connected to ground, and when a tamper alarm occurs, then the output will be disconnected (tri-stated) for 5 seconds – i.e. a pulse will be generated.

OUT-2 (P3.3) will follow the status of the key box drawer (grounded when the drawer is closed and disconnected when drawer is open).



P1-1	12-28V (IN)
P1-2	GND
P1-4	Tamper A1
P1-5	Tamper A2

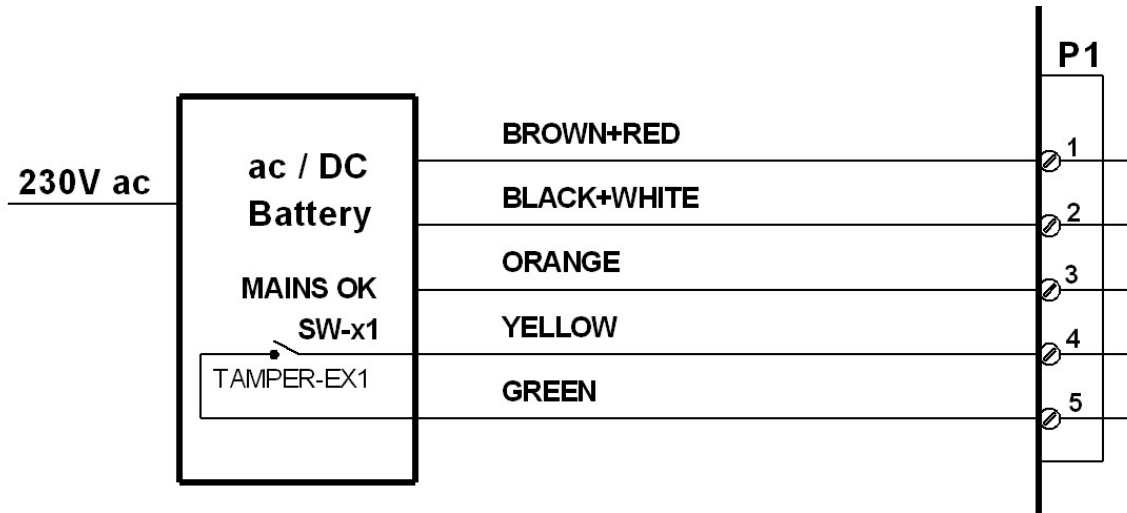
P3-1	12V (Out)
P3-6	GND

P4-1	12V (Out)
P4-2	GND

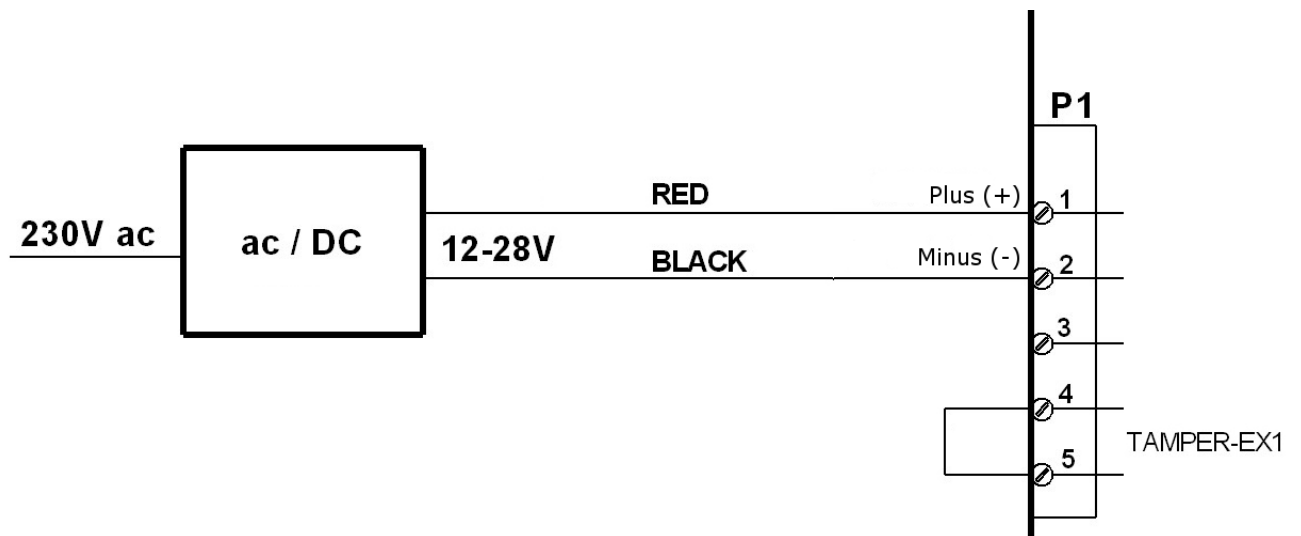
P2-1	Tamper B1
P2-2	Tamper B2
P2-3	12V (Out)
P2-4	GND

P5-1	12V (Out)
P5-2	GND

P1 - Power

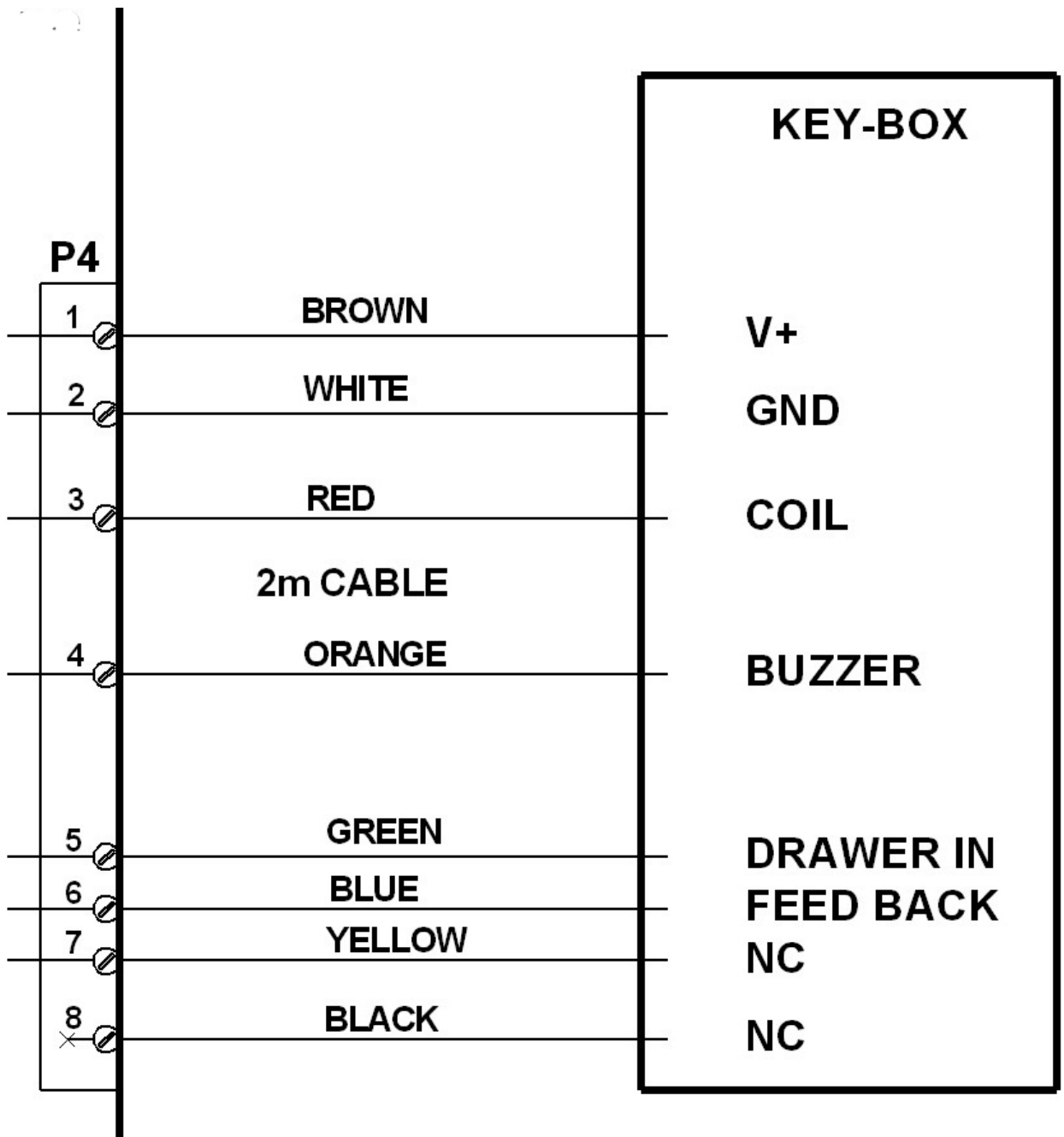


Special power supply from Birepo

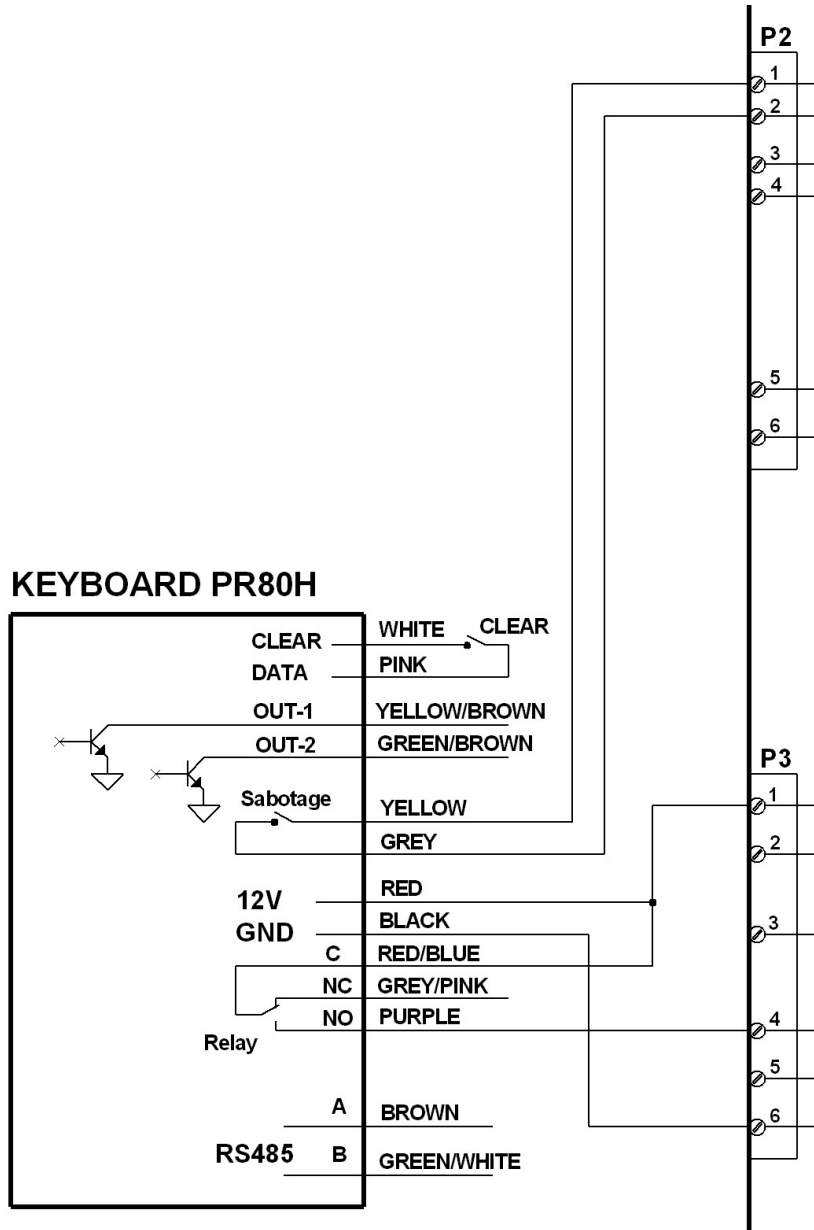


Standard power supply without tamper function

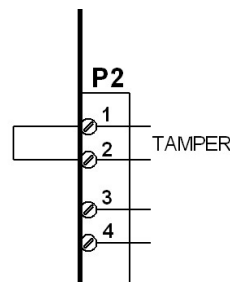
P4 – B-Lock Combi / B-Lock Flex



P2 & P3 – Keyboard PR80H

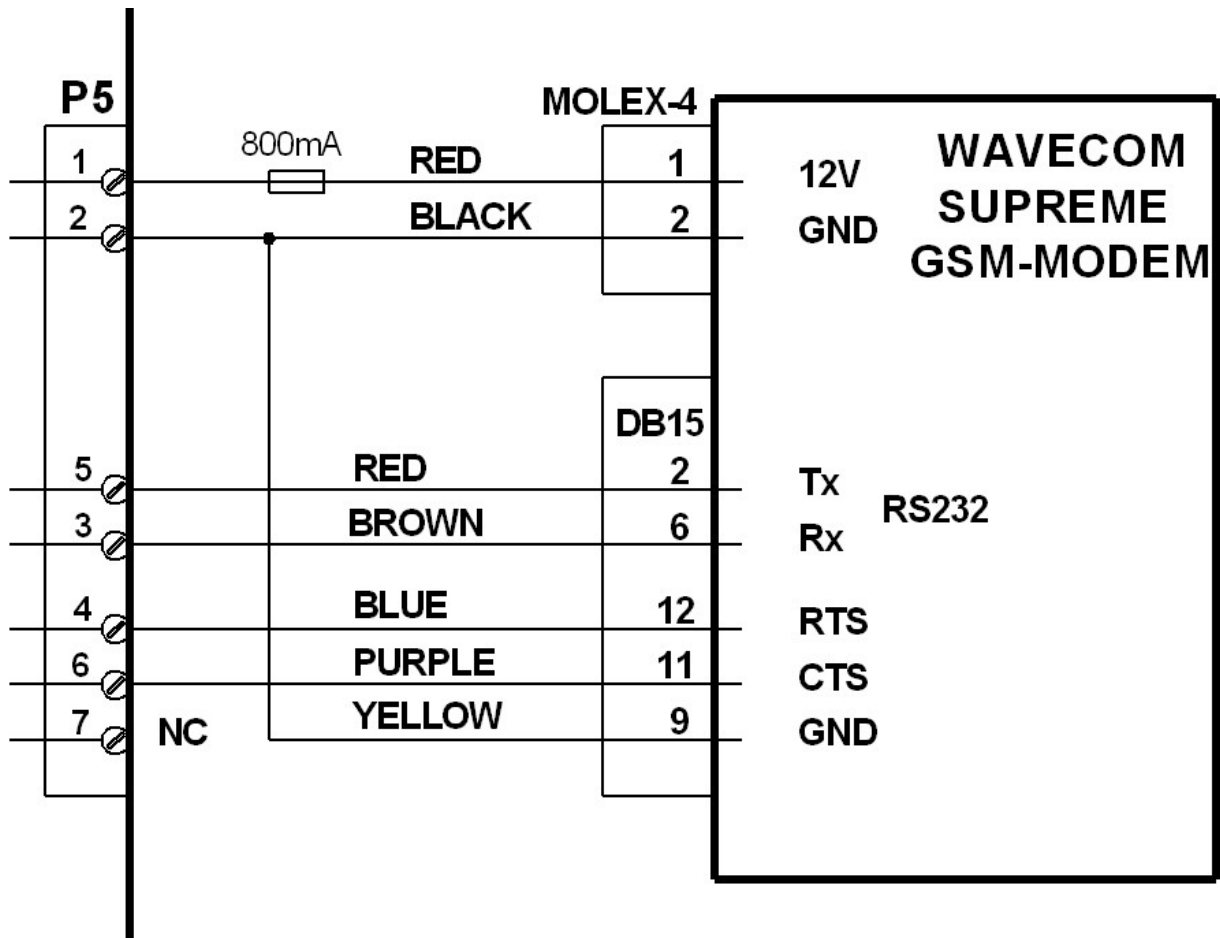


Keyboard PR80H

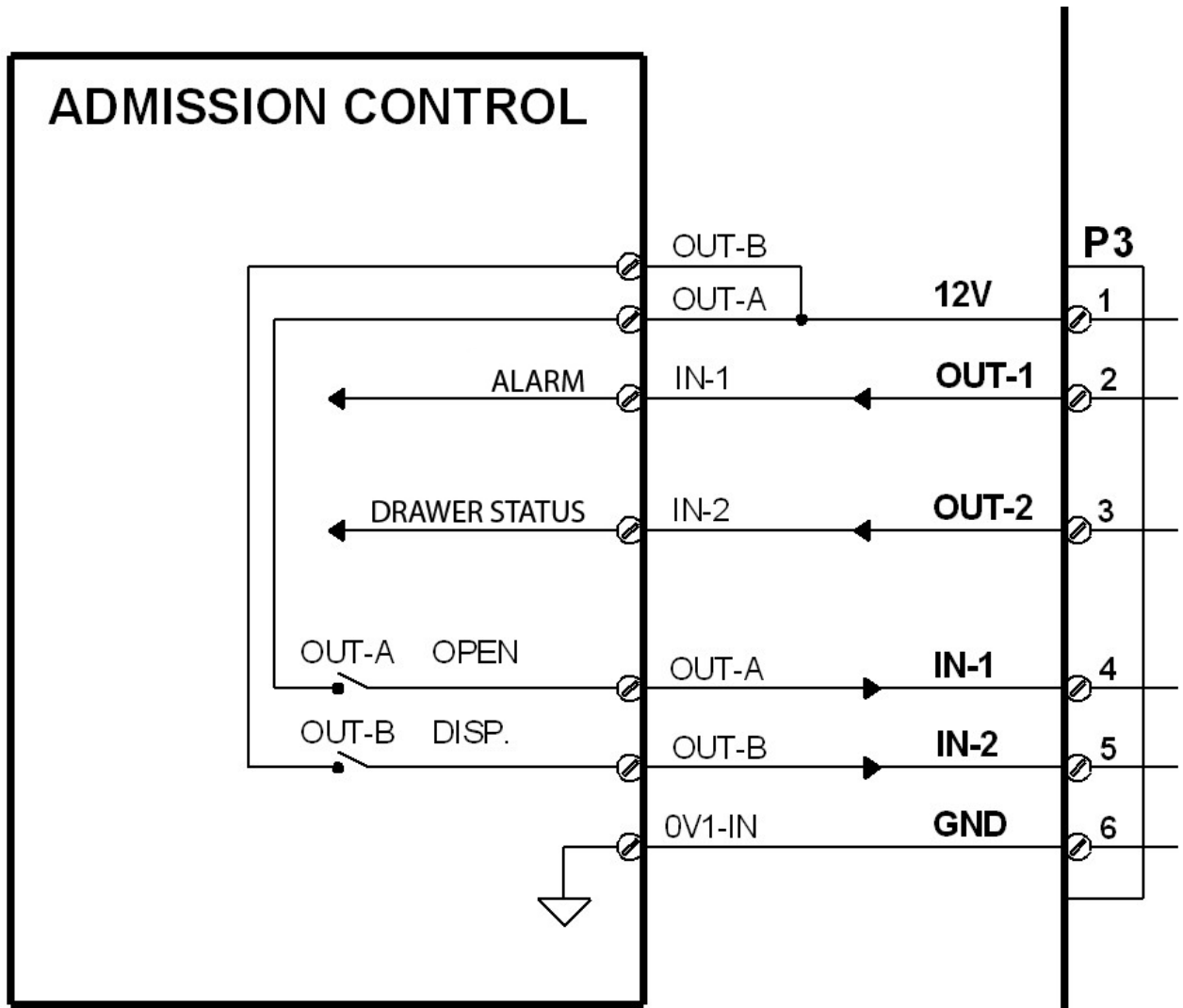


Without keyboard

P5 – GSM Modem



P3- Admission control



P3 – Digital in/out

